

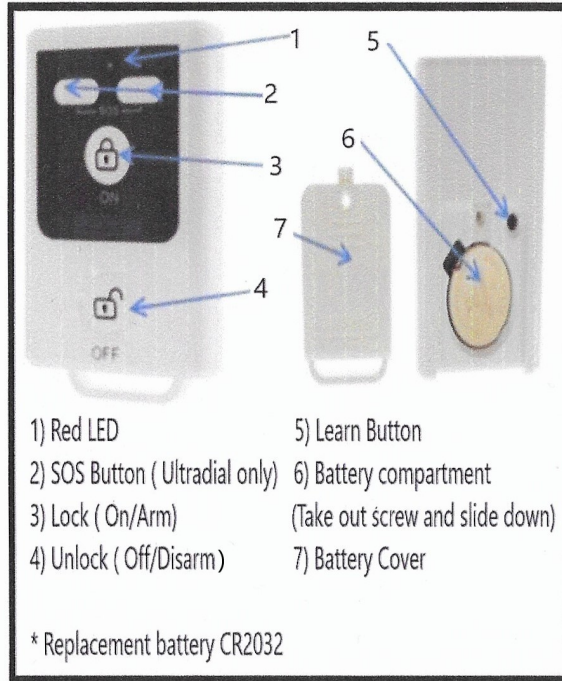
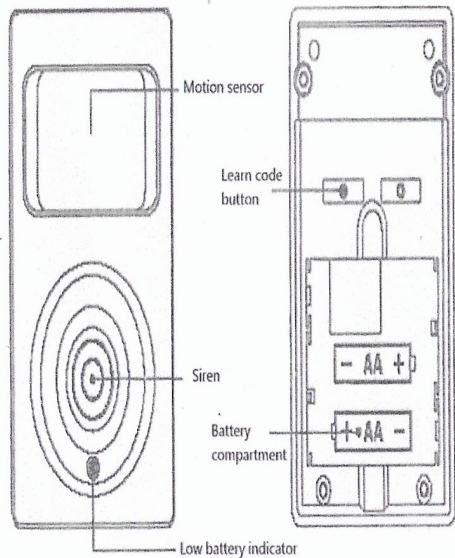
Wireless PIR motion sensor alarm

User Manual

Introduction

Arm and disarm the unit with the remote control, when the PIR detects any motion, the alarm will be triggered. The PIR can be paired with the ULtraDial, Ultrapir as well as additional PIRs, sirens and door contacts with the alarm range.

Product Diagram



Battery Installation

Battery compartment is accessed from the rear of the PIR by removing the screw at the base of the unit and sliding the back cover down. Insert three AA alkaline batteries into the compartment following the correct polarity. When the last battery is inserted, the siren will beep to confirm correct installation. Replace the back plate and secure by replacing screw to base of unit.

Low battery indicator light will illuminate when the batteries need replacing.

Pairing with other devices

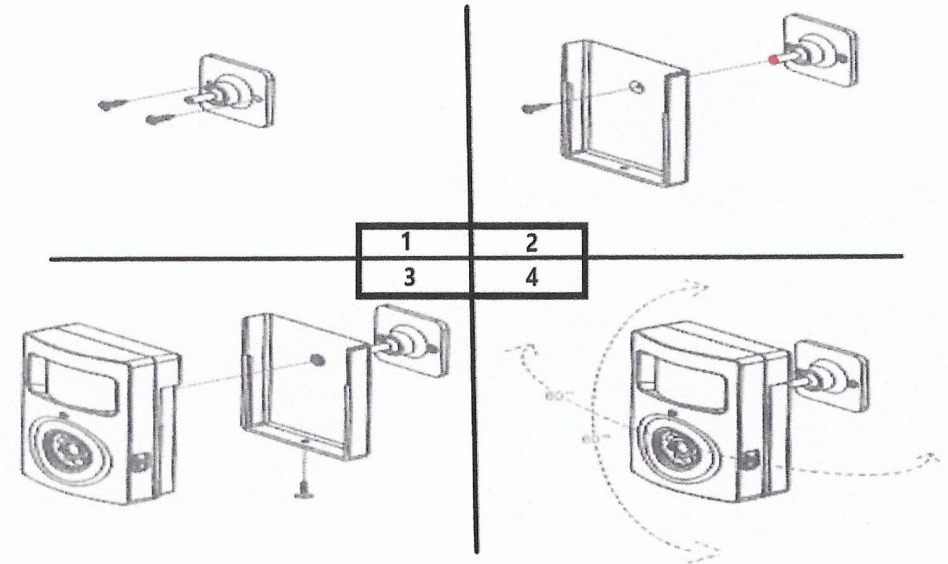
Under disarm mode, press and hold the learn code button of the PIR and the remote control simultaneously, The siren will beep twice to confirm successful pairing. Repeat process to add additional components.

Alarm Installation

Select the desired location and secure the bracket into place with the screws supplied as shown below in diagram 1.

Fix the rear cover to the bracket with screw supplied as diagram 2. (Enlarge hole in stem if required).

Slide PIR onto back plate and secure in place with screw to base of unit, diagram 3. Adjust direction of PIR, diagram 4.



Operating Alarm

Arming the Unit:

Press and hold the ON button to arm the system. The system will beep once and the LED will illuminate for 4 seconds to confirm.

The alarm has a built in exit delay of 30 seconds.

Disarming the Unit:

Press and hold the off button to disarm the system. The PIR will activate when movement is detected. The LED will illuminate once to confirm activation, the siren will sound after 5 seconds if the system is not disarmed.

Battery precaution

- ◆ Install appropriate size and polarity alkaline batteries into battery compartment. Incorrect polarity may cause damage to unit.
- ◆ Do not mix different types of batteries such as carbon-zinc and alkaline or old batteries with new. Do not use rechargeable batteries.
- ◆ If not in use for a long period of time, remove alkaline batteries to prevent possible battery leakage.
- ◆ Please recycle used batteries at your local recycling plant or collection point. Check recyclenow.com for further information.